



I.	3
II.	5
III.	5
IV.	6
V.	8
VI.	9
VII.	9
VIII.	( ) 10
IX.	( ) 12
X.	( ) 13
XI.	14

Hyundai

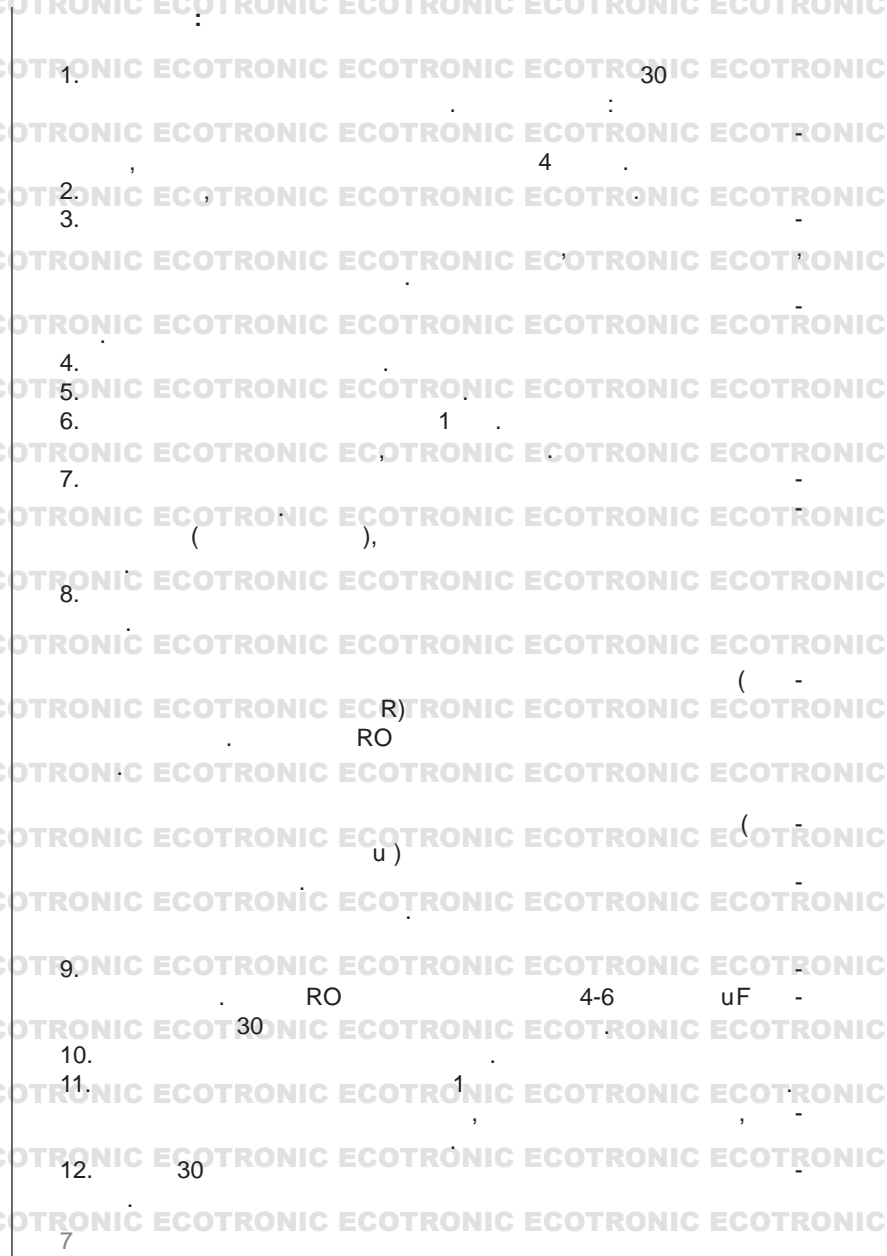
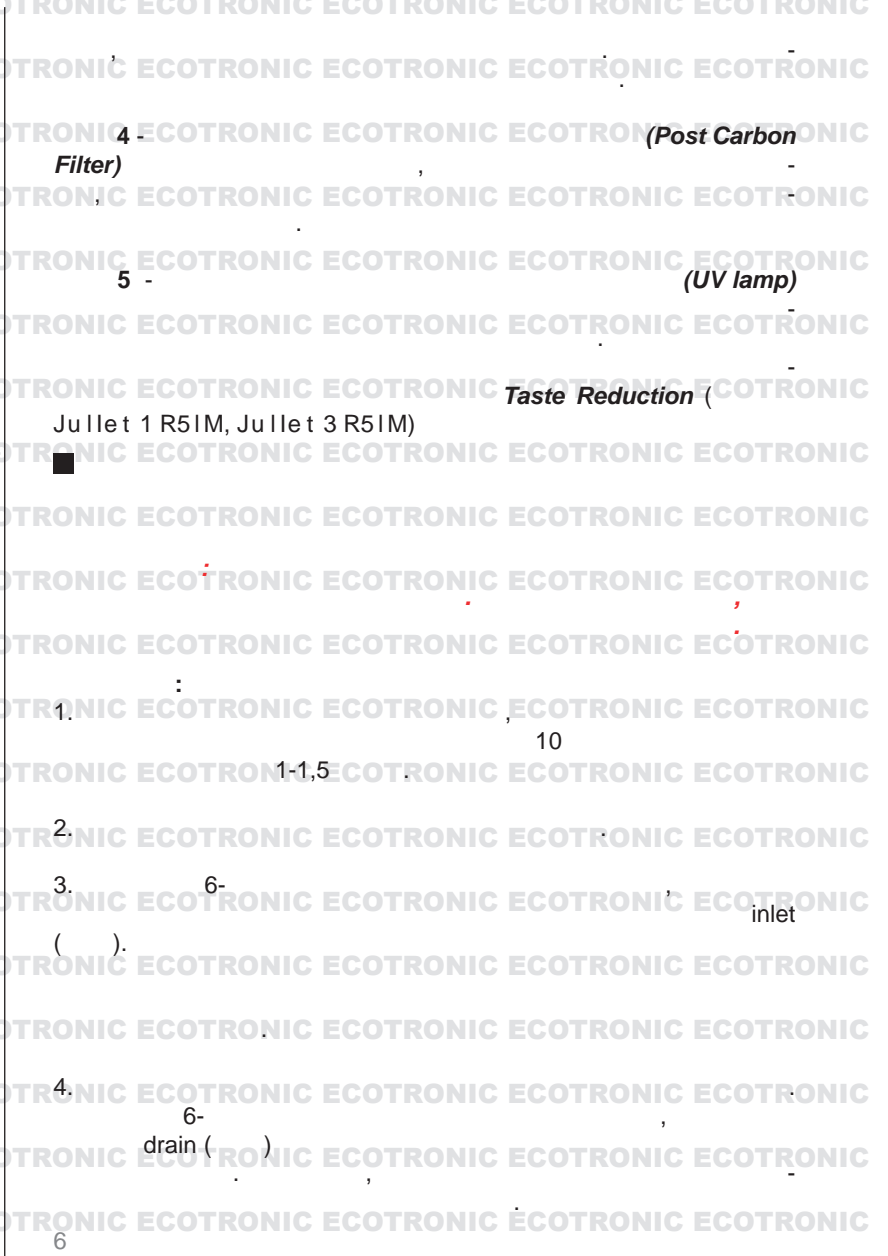
12

# I

- 1.
- 2.
- 3.
- 4.
- 5.
- 6.
- 7.
- 8.



# IV



# V

1	(Sediment Filter)	3-6
2	(Pre-Carbon Filter)	3-6
3.R	(RO Membrane Filter)	12
3.u	(uF Membrane Filter)	6-12
4	(Post Carbon Filter)	3-6
5	(uV lamp)	12

# VI

- 1.
- 2.
- 3.
- 4.
5. 30 (Clorox .)
6. 15-30
- 7.
8. 2-4
- 9.
- 10.
- 11.
- 12.
- 13.



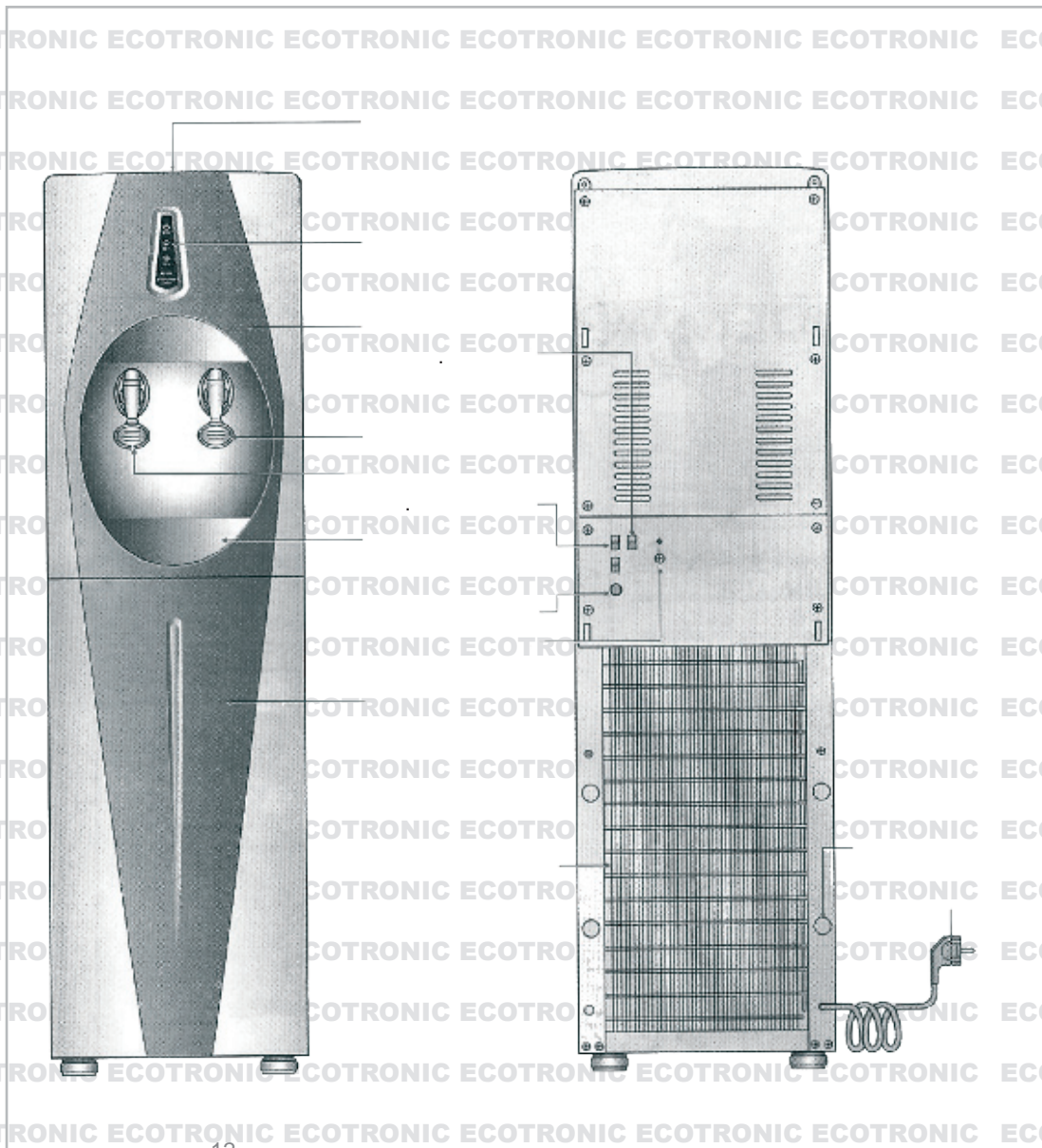
# VII

1. 1 10
- 2.
- 3.





# IX



# X

